



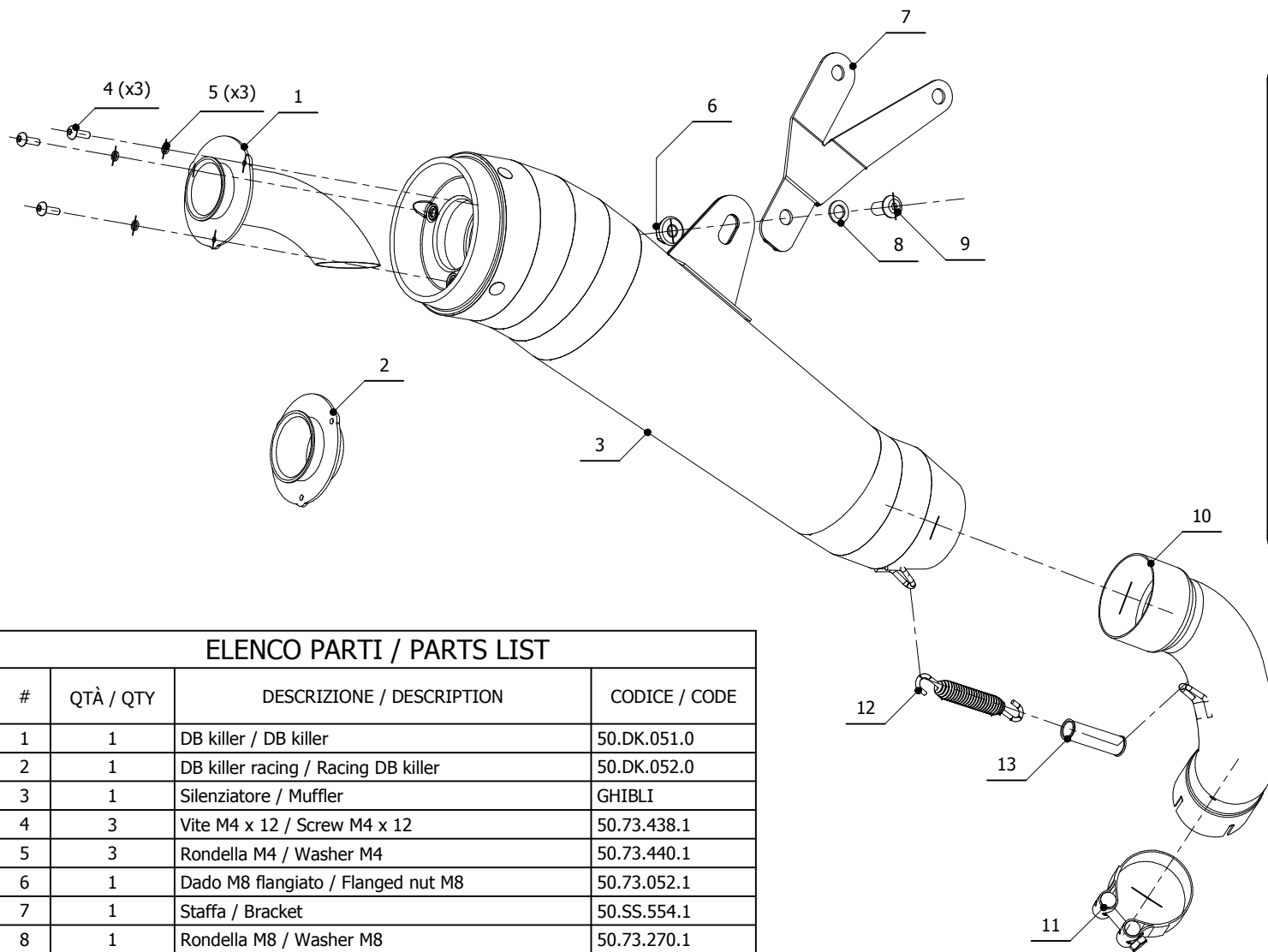
MODEL HONDA CB1000 R

YEAR 2008 - 2017

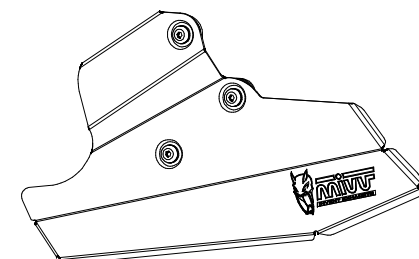
LINE SLIP ON

MUFFLER GHIBLI

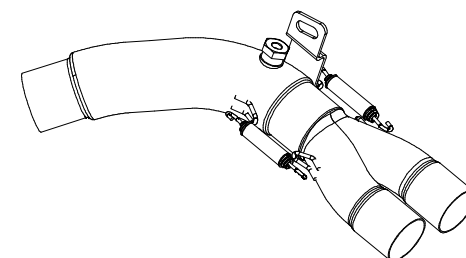
SCHEMATIC



PARTI OPZIONALI / OPTIONAL PARTS



COPERTURA IN ALLUMINIO / ALUMINIUM COVER
50.CR.011.0 + KIT



TUBO ELIMINA KAT / NO KAT PIPE
00.73.H.041.C1

ELENCO PARTI / PARTS LIST

#	QTÀ / QTY	DESCRIZIONE / DESCRIPTION	CODICE / CODE
1	1	DB killer / DB killer	50.DK.051.0
2	1	DB killer racing / Racing DB killer	50.DK.052.0
3	1	Silenziatore / Muffler	GHIBLI
4	3	Vite M4 x 12 / Screw M4 x 12	50.73.438.1
5	3	Rondella M4 / Washer M4	50.73.440.1
6	1	Dado M8 flangiato / Flanged nut M8	50.73.052.1
7	1	Staffa / Bracket	50.SS.554.1
8	1	Rondella M8 / Washer M8	50.73.270.1
9	1	Vite M8 x 16 / Screw M8 x 16	50.73.098.1
10	1	Tubo di raccordo / Link pipe	9773H041S2
11	1	Fascetta Ø 48/51 mm / Pipe clamp Ø 48/51 mm	50.FA.007.1
12	1	Molla media / Middle spring	50.73.359.1
13	1	Tubo in gomma per molla / Rubber pipe for spring	50.73.210.1

APPLICAZIONI / APPLICATIONS

CODICE / CODE	SILENZIATORE / MUFFLER	TUBO / PIPE
H.041.LGX	INOX / ST. STEEL	INOX / ST. STEEL
H.041.LGXB	INOX BLACK / BLACK ST. STEEL	INOX / ST. STEEL