



MODEL KTM RC 125

YEAR 2014-2016

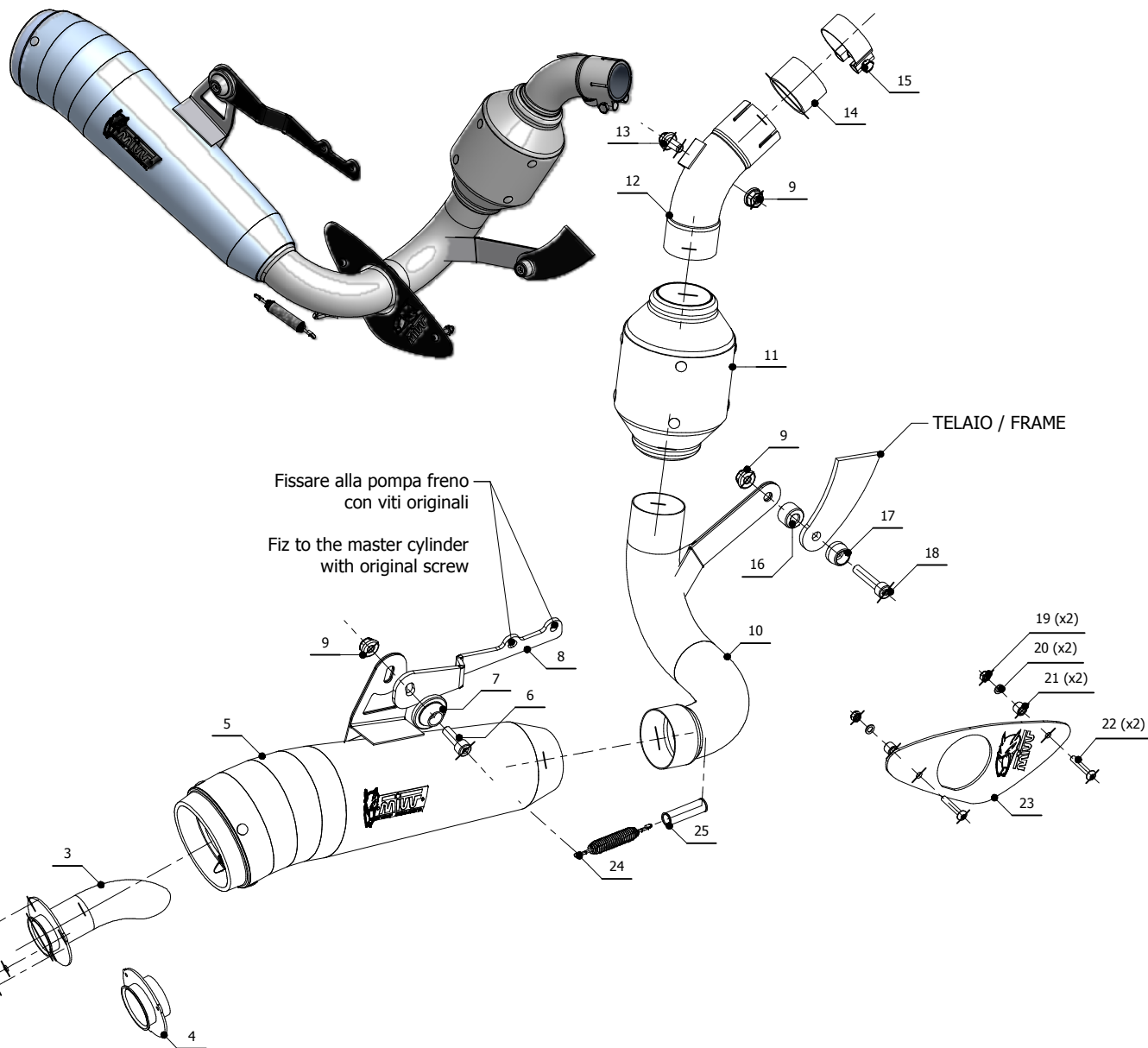
LINE FULL SYSTEM

MUFFLER GIBLI

SCHEMATIC

ELENCO PARTI / PARTS LIST

#	QTÀ / QTY	DESCRIZIONE / DESCRIPTION	CODICE / CODE
1	3	Vite M4 x 12 / Screw M4 x 12	50.73.438.1
2	3	Rondella M4 / Washer M4	50.73.440.1
3	1	DB killer / DB killer	50.DK.051.0
4	1	DB killer racing / Racing DB killer	50.DK.052.0
5	1	Silenziatore / Muffler	GIBLI
6	1	Vite M8x25 / Screw M8x25	50.73.064.1
7	1	Rondella in alluminio / Aluminium washer	50.73.063.1
8	1	Staffa / Bracket	50.SS.876.0
9	3	Dado M8 flangiato / Flanged nut M8	50.73.393.1
10	1	Tubo di raccordo / Link pipe	9773KT016S7B
11	1	Silenziatore / Muffler	9873KT009S2A
12	1	Tubo di raccordo / Link pipe	9773KT009S7A
13	1	Vite M8x16 / Screw M8x16	50.73.006.1
14	1	Guarnizione in grafite / Graphite bush	50.72.38.44.28
15	1	Fascetta Ø 44/47 mm / Pipe clamp Ø 44/47 mm	50.FA.006.1
16	1	Distanziale alluminio / Aluminium spacer (Øe.20 Øi.8,5 h.14)	50.SS.058.1
17	1	Rondella in alluminio / Aluminium washer	50.73.248.1
18	1	Vite M8x40 / Screw M8x40	50.73.075.1
19	2	Dado M5 / M5 nut	50.73.267.1
20	2	Rondella M5 / Washer M5	50.73.351.1
21	2	Distanziale in alluminio / Aluminium spacer (Øe.10 Øi.6 h.8)	50.73.759.1
22	2	Vite M5x30 / Screw M5x30	50.73.472.1
23	1	Copertura in alluminio / Aluminium cover	50.CR.022.0
24	1	Molla media / Middle spring	50.73.359.1
25	1	Tubo in gomma per molla / Rubber pipe for spring	50.73.210.1



APPLICAZIONI / APPLICATIONS

CODICE / CODE	TUBO / PIPE	SILENZIATORE / MUFFLER
KT.016.LGX	INOX / ST. STEEL	INOX / ST. STEEL