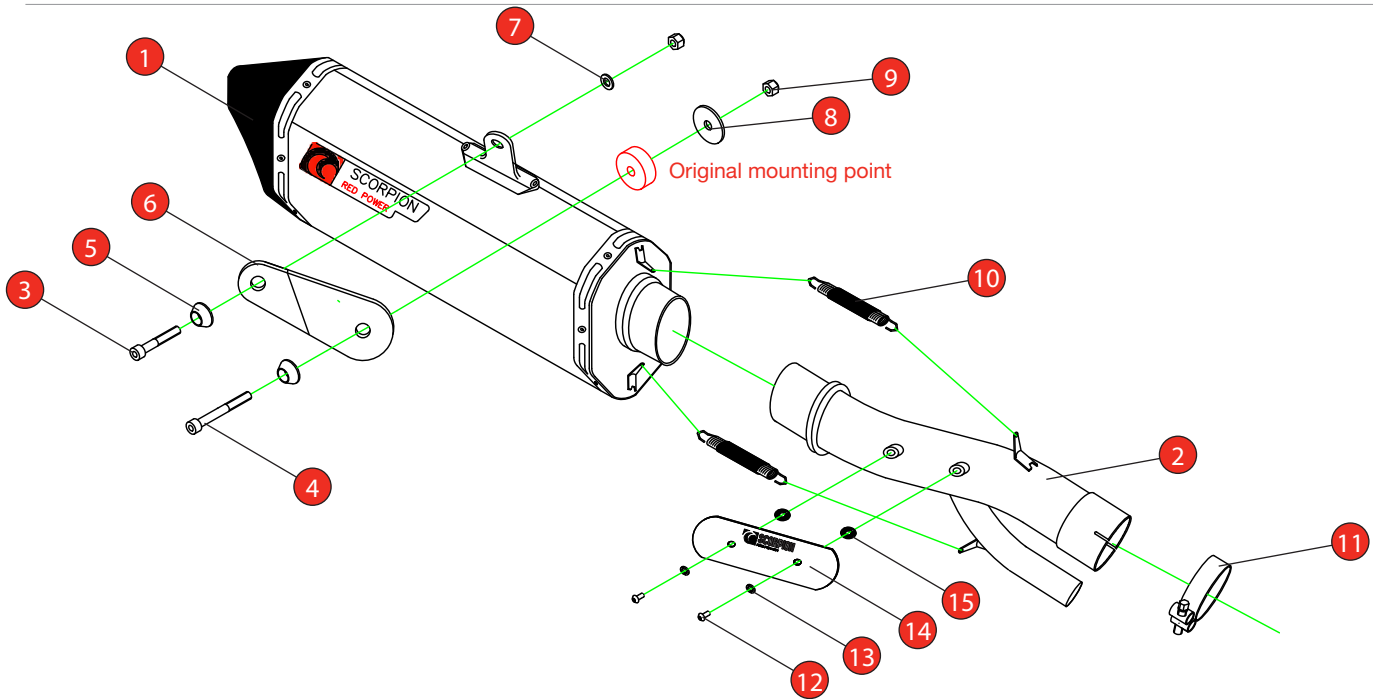


<b>Bike</b>	BMW S1000 XR	<b>Part No.</b>	RBM-75
<b>Year</b>	2015-Current	<b>Fit Kit</b>	Z039.10577
<b>Notes</b>	Use standard fittings where not supplied Remove standard gasket if fitted.	<b>dB Killer</b>	No dB Killer required. This product is EC approved without a dB killer being fitted.

Estimated Fitting Time: 60 Minutes



NO.	PART NO.	DESCRIPTION	QTY
1	RSC398	Serket Taper Silencer	1
2	CP939	Connecting Pipe	1
<b>Fit Kit - Z039.10577</b>			
3	Z017.10073	M8 x 25mm Cap Head Bolt	1
4	Z017.10075	M8 x 35mm Cap Head Bolt	1
5	Z026.20068	Alloy Bolt Finisher	2
6	Z015.31315	Mounting Bracket	1
7	Z017.10831	M8 x 17mm Washer	1
8	Z017.11019	M10 x 35mm Washer	1
9	Z017.10062	M8 Nyloc Nut	2
10	Z028.10030	Rubber Coated Spring	2
11	Z016.10002	51-55mm Clamp	1
12	Z017.10003	M6 x 8mm Button Head Bolt	2
13	Z017.10027	M6 Spring Washer	2
14	Z007.31519	Heat Shield	1
15	Z017.12781	Black Fibre Washer	2

E-MARK	e11 0949
DATE	31/10/18
ISSUE	02
AUTHORISED	M.Ydlibi



STAY CONNECTED TO RED POWER.

<b>Bike</b>	BMW S1000 XR	<b>Part No.</b>	RBM-75
<b>Year</b>	2015-Current	<b>Fit Kit</b>	Z039.10577
<b>Notes</b>	Where not supplied use original fittings	<b>dB Killer</b>	No dB Killer required. This product is EC approved without a dB killer being fitted.

Estimated Fitting Time: 60 Minutes



A) Remove original exhaust from bike, taking care to keep all original components in a safe place.

B) Refit Scorpion exhaust as per line diagram above.

C) When fitted take bike for a short ride to ensure all functions are correct.

D) When bike & exhaust are cool enough check all nuts and bolts are still secure.



Please note: When fitting the Scorpion exhaust you need to ensure you have the correct rotation of the clamp as shown in the picture.

Thank you for purchasing your Scorpion Silencer.  
Care of your exhaust: Please refrain from cleaning silencer with heavy solvents or abrasives!

Vielen Dank Für den kauf eines Scorpion Schalldampfers! Pflegehinweis: Bitte verwenden Sie niemals Scheuermittel oder aggressive Reiniger zur Pflege Ihres Auspuffes!

Merci d'avoir choisi un echappement Scorpion.  
Entretien de votre silencieux: Ne pas utiliser de solvants ou de produits abrasifs!

Muchas gracias por adquirir un Silencioso Scorpion. Le recomendamos no limpiar el silencioso con productos abrasivos o aquellos que contengan disolventes.



STAY CONNECTED TO RED POWER.